

# Currency Recycler RZ-50 series

## Specifications

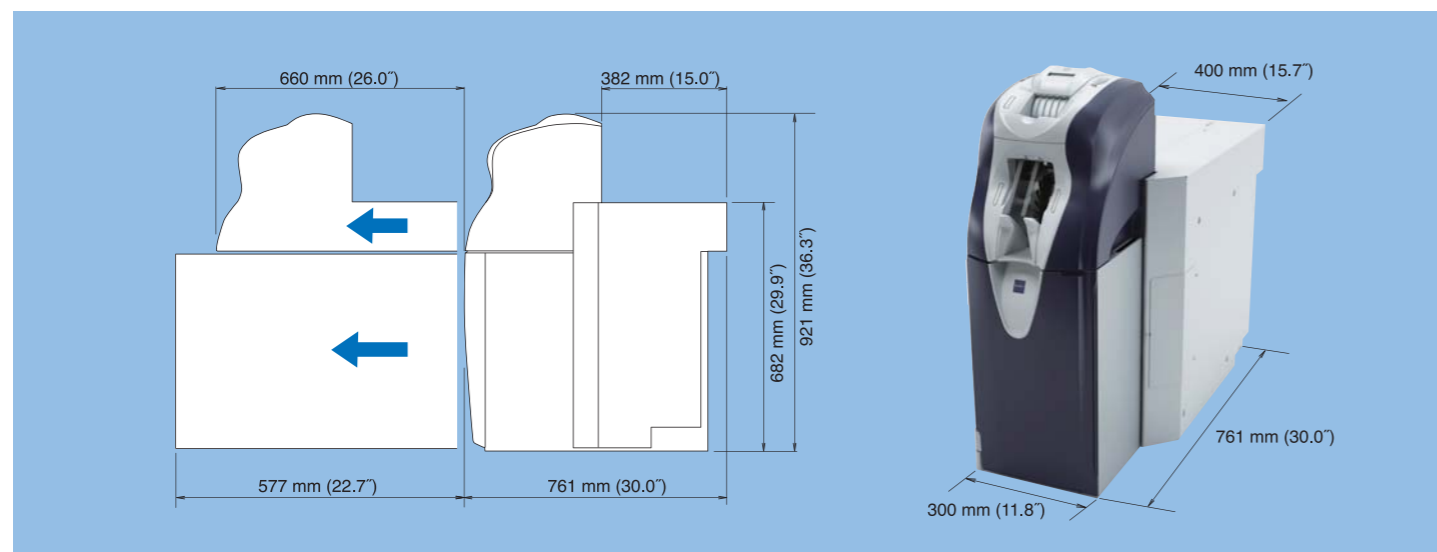
Speed	Deposit	5 Notes Per Second
	Dispense	4 Notes Per Second
Capacity	Storage Units (Roll Storage Modules)	200 Notes x 4 modules (Standard) Total Approx. 800 Notes
	Collection Cassette (For deposit only)	2,000 Notes
	Capture Bin	20 Notes
	TOTAL	2,800 Notes
Dimensions / Weight	400(W) x 761(D) x 921(H)mm(15.7"x30.0"x36.3") / Approx.260Kg [UL291-24H]	
Security	Delay Timer, Seismic Sensor, Alarm Sensor, Password Lock System	
Users	Dual Cashiers	
Interface	Two RS-232C/Option: LAN	
Power Supply	Voltage: AC 100V — AC 240 V	
	Frequency: 50/60 Hz	
	Current: 3.0A-1.4A	

## Security Options

The following safe options are available

UL291-8H (8 hours)	6mm-thick safe
UL291-24H (24 hours)	12mm-thick safe
CEN IV	40mm-thick safe

## Dimensions (with UL291-24H Safe)



\* Specifications and design are subject to change without notice.  
 \* Please carefully read the instruction manual to ensure correct equipment usage.  
 \* Copyright © 2010 GLORY LTD. ALL Right Reserved



We Secure the Future

U.S.A.  
**GLORY (U.S.A.) Inc.**  
 Corporate Headquarters  
 10 York Avenue, West Caldwell, NJ 07006  
 Tel: +1-800-999-4510 / Fax: +1-973-228-7114

SOUTHEAST ASIA & OCEANIA  
**GLORY Money Handling Machines Pte. Ltd.**  
 331 North Bridge Road #20-03/05 Odeon Towers Singapore (188720)  
 Tel: +65-6837-2813 / Fax: +65-6837-2803

HONG KONG  
**GLORY Cash Handling Systems (China) Ltd.**  
 Room 704-5, 7/F, Lu Plaza, 2 Wing Yip St., Kwun Tong, Kowloon, Hong Kong  
 Tel: +852-2628-1800 / Fax: +852-2628-1802

CHINA  
**GLORY International Trading (Shanghai) Co., Ltd.**  
 B401-405, Far East International Plaza, No. 317 Xianxia Road, Shanghai 200051, P.R. of China  
 TEL: +86-21-6235-1008 / FAX: +86-21-6235-0226

Manufactured by  
**GLORY LTD.**  
<http://www.glory.co.jp/en>  
 Akihabara UDX, 4-14-1 Soto-Kanda, Chiyoda-Ku, Tokyo 101-8977, Japan  
 Tel: +81-3-5207-3110 / Fax: +81-3-5207-3030

EUROPE  
**GLORY Europe GmbH**  
 Königsberger Str. 1, 60487 Frankfurt am Main, Germany  
 Tel: +49-69-7953 880 / Fax: +49-69-7953 8870

Distributed by:

## GLORY PRODUCT NEWS

# Currency Recycler

## RZ-50 series

## Streamline Cashier Operations Through Sophisticated Cash Recycling



Secure

Flexible

Efficient

# Advances in cash handling automation at the Cashier counter have evolved to provide superior levels of accuracy and efficiency

GLORY's constant pursuit of high quality and performance provides superior levels of accuracy and efficiency in cash processing.

The RZ-50 is equipped as standard with industry leading technologies such as Auto-Verification, and a Collection Cassette.

The automation of cash handling enabled by the RZ-50 allows the Cashier to focus on the customer, resulting in improved service and sales, as well as an enhanced customer experience.



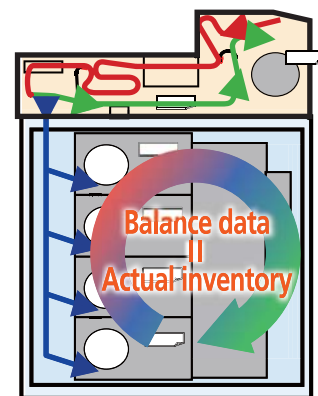
## Fit into almost any Store

- Integrate under a desk
- Small foot print
- Easy Maintenance

## Advanced banknote verification technologies improve operational efficiency.

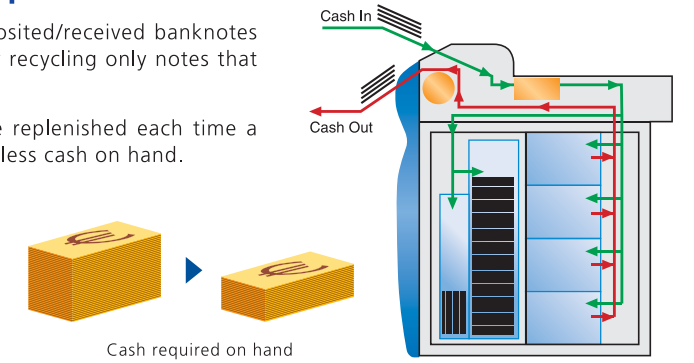
- Cashier do not need to manually count and check deposits as banknotes stored in the Roll Storage Modules (RSM) are counted and verified within the recycler. This "Closed Cash System" functionality allows safer, faster and more accurate verification and storage.

\* The automatic verification function requires the upper application software.  
 \* GLORY's application software (optional) accommodates this function.



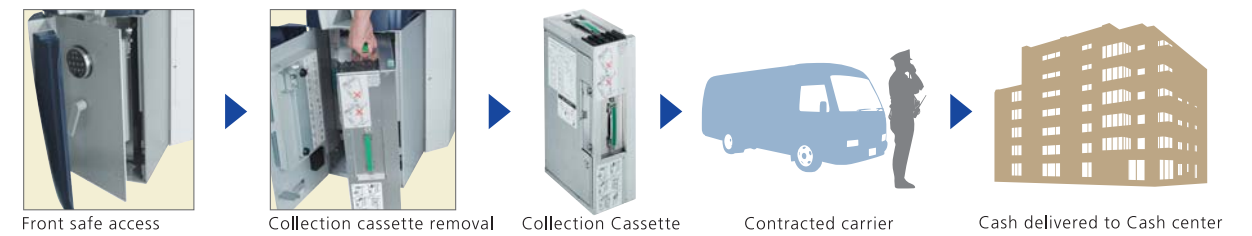
## Recycling System Reduces the amount of cash required on hand.

- Increases efficiency by allowing the use of deposited/received banknotes for withdrawals/change. Also minimizes jams by recycling only notes that are in good condition.
- Banknotes available for withdrawal payouts are replenished each time a customer makes a deposit, so the cashier needs less cash on hand.
- Cash on hand can be quickly checked, speeding up the closing process at day's end.



## Removable secure Collection Cassette can be used to collect banknotes quickly and easily with no manual cash handling.

- Banknotes stored in the recycler can be transferred to the collection cassette within the unit with no manual cash handling. They can be removed from the unit in the collection cassette, enhancing security during transportation between the teller position and the back-office.



## Multi-currency operations can be handled using mixed denomination configuration.

- Any notes that are not recycled can be stored directly into the Collection Cassette thus maximizing RSM capacity. e.g. Ruble notes can be stored in the collection cassette and euro notes stored in the RSM for re-issue.(dispensing)
- Up to 64 note denominations can be included in the RZ-50 template.
- Cheques and unrecognizable banknotes can be stored in Side Pocket.



## Removable RSMs to minimize down time.

- The RSM can be easily removed, allowing any faulty module to simply be replaced and repaired at a later date. Operational down time can therefore be reduced to a minimum. The RZ-50 can also be used with less than 4 RSMs if required.



Roll Storage Modules (RSM)